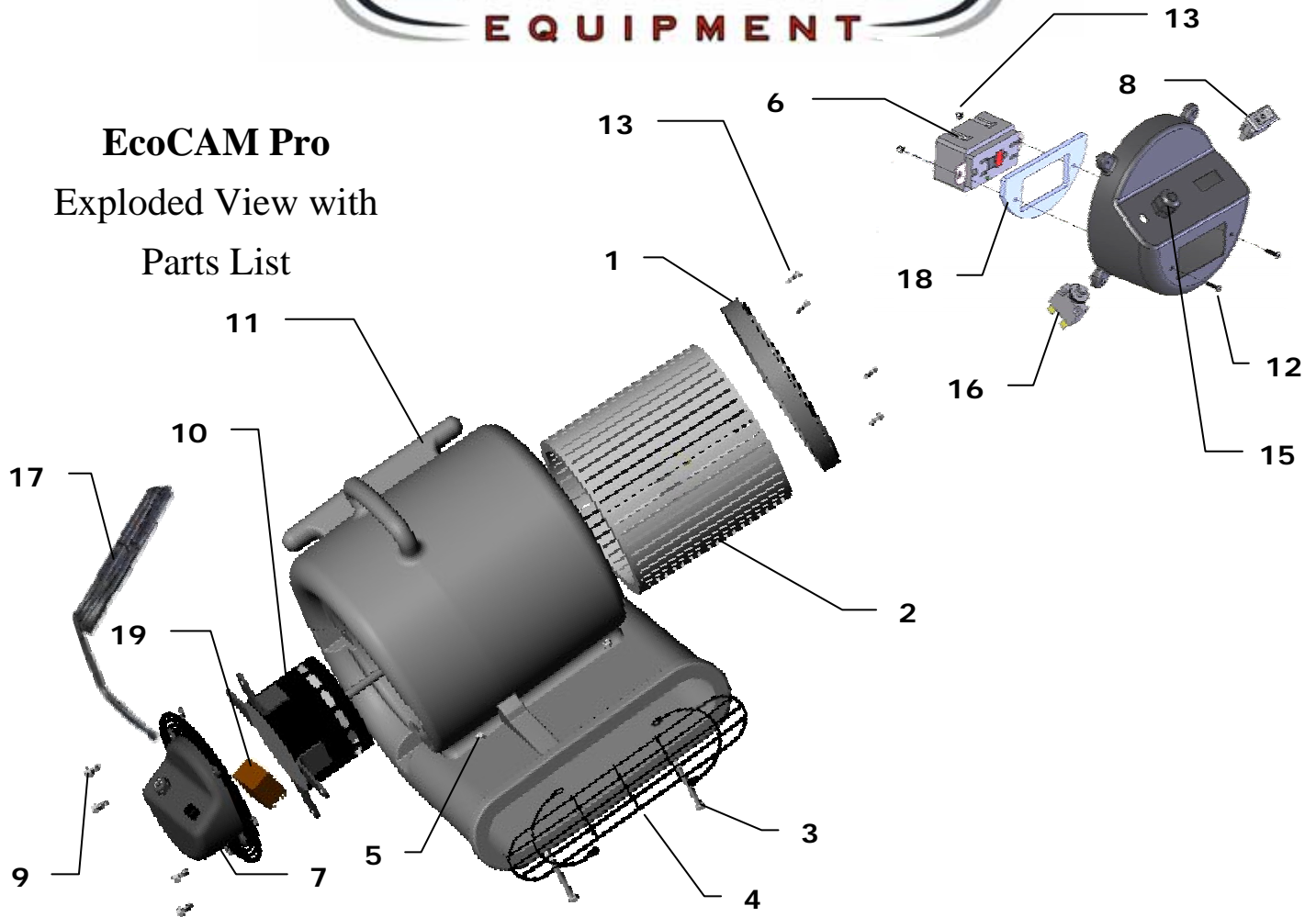


# VIKING EQUIPMENT

## EcoCAM Pro Exploded View with Parts List



| <i>Item</i> | Description                 | Qty Req. | Viking Part#    | <i>Item</i> | Description              | Qty Req. | Viking Part#  |
|-------------|-----------------------------|----------|-----------------|-------------|--------------------------|----------|---------------|
| 1           | Guard,Fan Side              | 1        | A956A           | 11          | Housing,SM Grey Granite  | 1        | SM GGR        |
| 2           | Blower Wheel, SM Metal      | 1        | H323CC          | 12          | Screw, 6-32X1/2 KBC      | 2        | EX 6-32X1/2   |
| 3           | 1/4-20X3 1/2 HCS SS         | 2        | 1/4-20X3 1/2 SS | 13          | Nut, 6-32 Nylok          | 2        | EX 6-32 Nylok |
| 4           | Front, Guard                | 1        | H339            | 14          | Screw, 8-15x3/4          | 4        | 8-15x3/4      |
| 5           | 1/4-20 Acorn Nut SS         | 2        | 1/4-20 AcornSS  | 15          | Strain Relief            | 1        | H221          |
| 6           | GFCI Outlet                 | 1        | EX GFCI3        | 16          | Circuit Breaker, Carling | 1        | EX 561        |
| 7           | Switch Housing / GFCI       | 1        | EX A955AA       | 17          | Cord 14/3 SJTOW Black    | 1        | EX Cord       |
| 8           | Switch, one position rocker | 1        | E545            | 18          | Spacer, Plastic, GFCI    | 1        | EX Spacer     |
| 9           | Flange Bolt, 1/4-20x3/4     | 4        | 1/4-20x3/4 FLG  | 19          | Capacitor, Start         | 1        | E500SM        |
| 10          | Motor, 1/3 HP 115V          | 1        | AB033019SM      |             |                          |          |               |